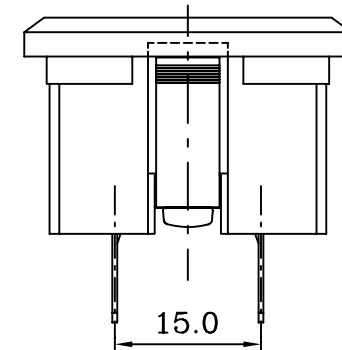


PANEL CUT-OUT

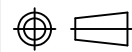
- Characteristic:**
1. Rating : 15A 125VAC/250VAC
 2. Contact Resistance : 50m OHMS Max.
 3. Insulation Resistance: 100mΩ OHMS At DC 500V .
 4. Insulation withstand Voltage:
AC 2000V For One Minute
 5. Terminal Strength : 5kgs At One Minute
 6. Insulation And withstand Force
a insertion Force : 6kgs Max
b Withdrawl Force : 1.5kgs Min
 7. Life Test : 5000 Cycles Min



IMPORTANT THIS DRAWING FOR REFERENCE ONLY 注意：此圖只供參考用



富灣(佛岡)五金電器有限公司
RICH BAY INT'L LTD.
 廣東省清遠市佛岡縣城南工業區
 South Town Industrial Area of Fogong County
 Qing Yuan City Guangdong Province,China
 TEL:0763-4289946 FAX:0763-4288096



DRAWN BY

UNIT
mm
 李
 2008.11.25
 小英

UNIT QTY
1
 APPROVED BY

SCALE
1:1
 林
 2008.11.25
 達忠

TOLERANCE
X.XX±0.1
XX.XX±0.2
XXX.XX±0.3

ID NO
08112401Q

DESCRIPTION

PRODUCT NO.
RU-02(97)

INTERIM NO.

NEW NO.

REV

A