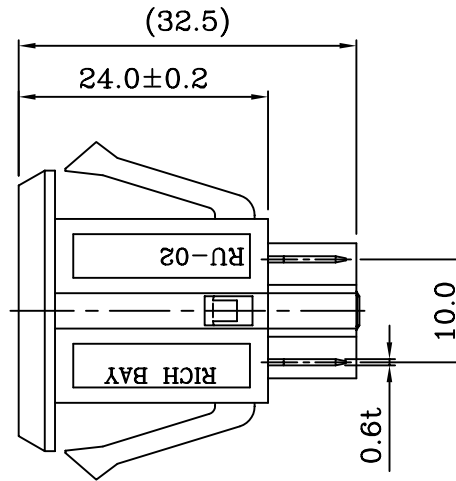


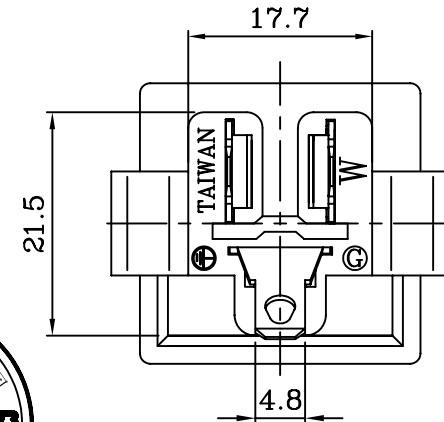
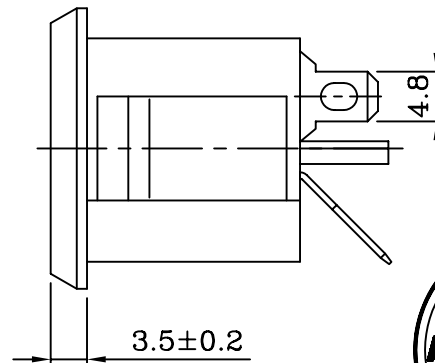
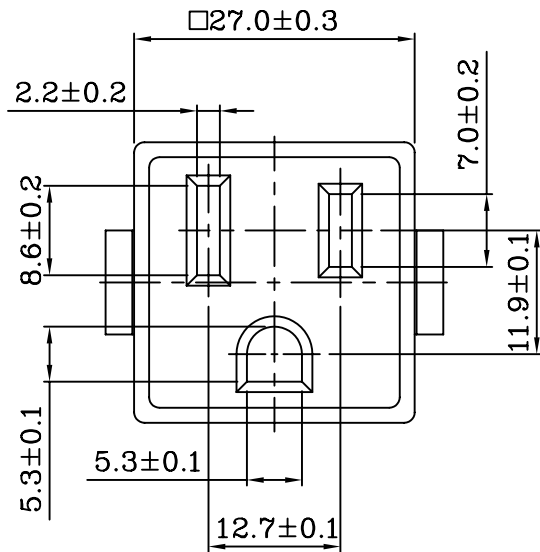
**RECOMMEND  
PANEL CUT OUT**



**SPECIFICATION:**

1. Insulation Resistance: Over 100MΩ at 500V DC.
2. Dielectric strength: 2000V AC 1 Minute.
3. Body Material: Thermoplastic 94V-2~V-0.

Rating: AC 15A 125V	
Mark	Safety Regulation
	UL
	CUL



DRAWING: C:\DG\NEW-R\T\RU-02\RU-02 (00). DWG

**IMPORTANT THIS DRAWING FOR REFERENCE ONLY** 注意：此圖只供參考用

<p><b>富灣股份有限公司</b> RICH BAY COMPANY LTD. 台北縣樹林市東興街57號 NO. 57, Tung Hsing St., Shu-Lin Town, Taipei Hsien, Taiwan, R. O. C. TEL: 886-2-86867781~4 FAX: 886-2-86867780 http://www.richbay.com.tw</p>	<p>DRAWN BY  RD 96.07.13 張育誠</p>	UNIT	UNIT QTY	SCALE	TOLERANCE	PRODUCT NO.	REV
		mm	1	3:2	X.XX±0.1 XX.XX±0.2 XXX.XX±0.3	RU-02 (00)	
		APPROVED BY  RD 96.07.17 戴銘璋	ID NO	INTERIM NO.	NEW NO.		
DESCRIPTION					070713A03		B