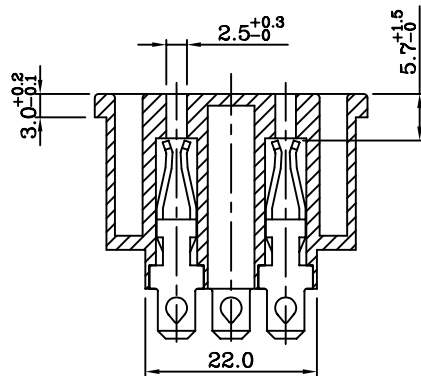


PANEL CUT-OUT

THICKNESS	A
0.8t ~ 1.0t	25.0
1.0t ~ 1.2t	25.2
1.2t ~ 1.5t	25.5
2t	25.7
3t	25.7



R-302SN (00)	R-302SN (06)	R-302SN (07)

SPECIFICATION:

1. Insulation Resistance: Over 100MΩ at 500V DC.
2. Dielectric strength: 2000V AC 1 Minute.
3. Body Material: Thermoplastic 94V-2~V-0.

Rating: AC 15A 250V	
Mark	Safety Regulation
	CULUS
Rating: AC 10A 250V	
Mark	Safety Regulation
	VDE
	ENEC
	CCC

DRAWING: C:\DG\NEW-R\T\R-302SN\R-302SN(00, 06, 07). DWG



富灣股份有限公司
RICH BAY COMPANY LTD.
台北縣樹林市東興街57號
NO. 57, Tung Hsing St., Shu-Lin Town,
Taipei Hsien, Taiwan, R. O. C.
TEL: 886-2-86867781~4 FAX: 886-2-86867780
http://www.richbay.com.tw

DRAWN BY	UNIT	UNIT QTY	SCALE	TOLERANCE		PRODUCT NO.	R-302SN (00)	REV
	mm			1	1:1			
RD 99.03.26 張育誠		1	1:1	ID NO	100326A06	INTERIM NO.		C
				DESCRIPTION		NEW NO.		