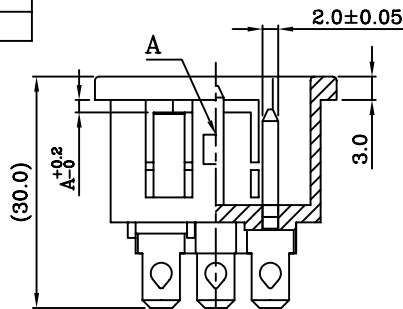


PANEL CUT-OUT

XX		
A	間隙	卡勾有助
08	0.8	●
10	1.0	●
12	1.2	●
15	1.5	●
20	2.0	●
25	2.5	
30	3.0	●
40	4.0	



R-301SN(01)XX	R-301SN(02)XX	R-301SN(03)XX

SPECIFICATION:

1. Insulation Resistance: Over 100MΩ at 500V DC.
2. Dielectric strength: 2000V AC 1 Minute.
3. Body Material: Thermoplastic 94V-2~V-0.

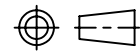


Rating:AC 10A 250V	
Mark	Safety Regulation
	VDE
	ENEC
Rating:AC 15A 250V	
Mark	Safety Regulation
	UL
	CUL

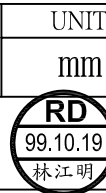
DRAWING:C:DG\NEW-R\T\301SN\R-301SN(01, 02, 03) XX. DWG



富灣股份有限公司
RICH BAY COMPANY LTD.
台北縣樹林市東興街57號
NO. 57, Tung Hsing St., Shu-Lin Town,
Taipei Hsien, Taiwan, R. O. C.
TEL:886-2-86867781~4 FAX:886-2-86867780
http://www.richbay.com.tw

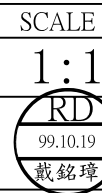


DRAWN BY



UNIT mm
UNIT QTY 1

APPROVED BY



TOLERANCE X.XX±0.1
XX.XX±0.2
XXX.XX±0.3

ID NO

101019A04

DESCRIPTION

PRODUCT NO.

R-301SN(01) XX

INTERIM NO.

NEW NO.

REV

F