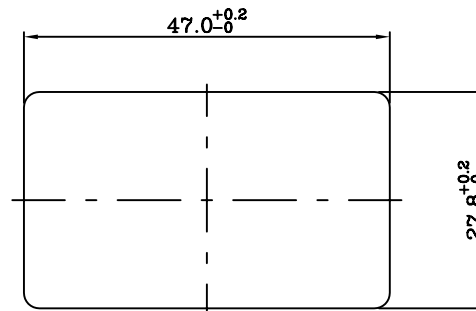
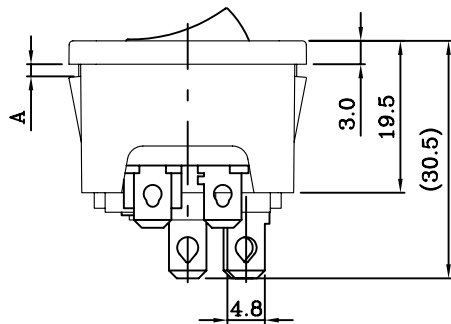


	XX	A
	10	1.0
	15	1.5
	20	2.0



PANEL CUT-OUT

**SPECIFICATION:**

1. Insulation Resistance: Over 100MΩ at 500V DC.
2. Dielectric strength: 2000V AC 1 Minute.
3. Body Material: Thermoplastic 94V-2~V-0.

Rating:AC 15A 250V	
Mark	Safety Regulation
	CULUS
Rating:AC 10A 250V	
Mark	Safety Regulation
	VDE

產品料號	I/O 形式	備註
R-3014S(01)XX	按鍵黑色印刷 I/O	
R-3014S(03)XX	按鍵透明紅色帶燈	

DRAWING:C:DG\NEW-R\T\3014S\R-3014S(01,03)XX.DWG

IMPORTANT THIS DRAWING FOR REFERENCE ONLY 注意：此圖只供參考用

<p>富灣股份有限公司 RICH BAY COMPANY LTD. 台北縣樹林市東興街57號 NO. 57, Tung Hsing St., Shu-Lin Town, Taipei Hsien, Taiwan, R. O. C. TEL:886-2-86867781~4 FAX:886-2-86867780 http://www.richbay.com.tw</p>	<p>DRAWN BY</p>	UNIT	UNIT QTY	SCALE	TOLERANCE	PRODUCT NO.	R-3014S(01)XX	REV
		mm	1	1:1	X.XX±0.1 XX.XX±0.2 XXX.XX±0.3	INTERIM NO.		
		RD 97.11.04 李文彬	APPROVED BY	RD 97.11.04 戴銘璋	ID NO	NEW NO.		
					DESCRIPTION			B