

**1. Application :**

For sounder in alarm systems.

**2. General :**

- 2.1 Out - Diameter : Ø 30 mm.  
2.2 Height : 5.7 mm.  
2.3 Weight : 4.5 g.  
2.4 Operating Temperature range : -20 ~ +60°C without loss of function  
2.5 Store Temperature range : -30 ~ +70°C without loss of function

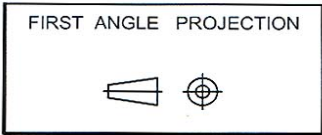
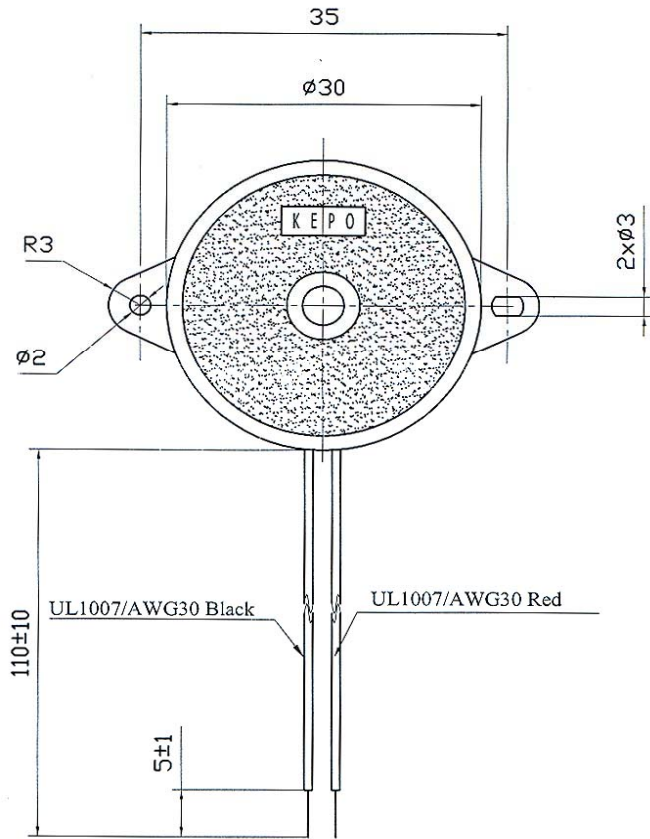
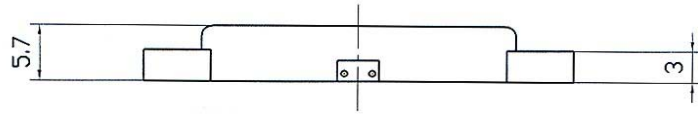
**3. Electrical and Acoustic Characteristics :**

Test condition : 15 ~ 35°C, 25% ~ 85% RH, 860 ~ 1060 mbar

No.	Items	Specification
1	Rated Voltage	5Vp-p Square Wave
2	Max. Allowable Voltage	30Vp-p Square Wave
3	Max. Rated Current	15mA at 4.5KHz / 5Vp-p Square Wave
4	Resonant Frequency	4.5 ± 0.5 KHz
5	Min. Sound Pressure Level	85dB at 4.5KHz / 5Vp-p Square Wave / 10cm
6	Capacitance at 100Hz	13000pF ± 30%
7	Case Material / Color	ABS / Black

**4. Picture :**

5. Dimensions :



Unit : mm  
Tolerance : ±0.5